

# AD-960H

960H Vandal-proof Dome Effio Camera 2.8~12mm

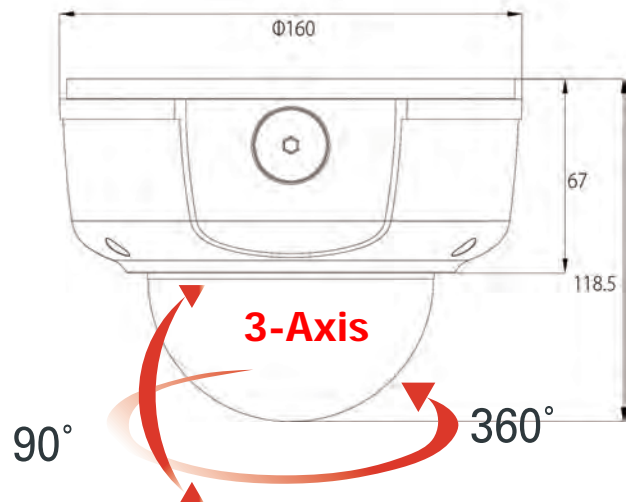
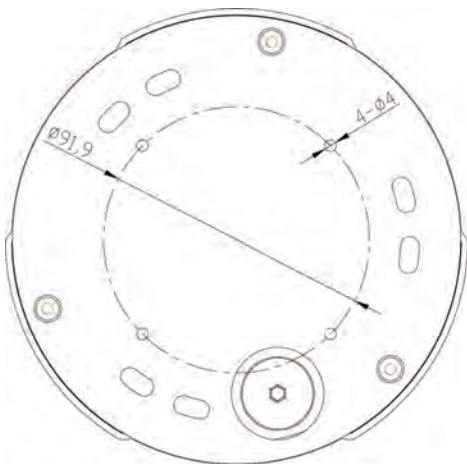
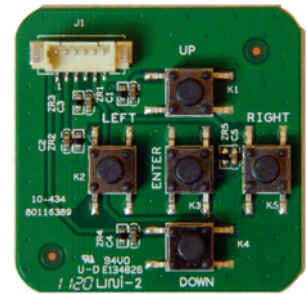


960x576

## Features

- > 1/3" SONY EXview HAD CCD II & Effio DSP
- > High resolution of 960H
- > Mini. Illumination of 0.05Lux@F1.2
- > 2D- NR, AWB, AGC, BLC, HLC, ATR, MD, Privacy Mask, Picture Adjust
- > Powerful OSD operational function
- > Auto Iris lens: 2.8~12mm - [Megapixel](#)
- > IK10, IP66, DC12V

## OSD Controller



# AD-960H

## Specifications

<b>Model</b>	<b>AD-960H</b>	
<b>Camera</b>		
Image Sensor	1/3" SONY EXview HAD CCD II	
Video Format	PAL	
Resolution	960(H) x576(V), 553K pixels	
Horizontal Resolution	960H	
Mini. Illumination	0.02Lux@F1.2	
Electronic Shutter	Auto: 1/50s~1/100,000s Manual: 1/50s, 1/120s, 1/250s, 1/500s, 1/1000s, 1/2000s, 1/4000s, 1/10,000s	
Synchronization	Internal	
S/N Ratio	>60dB	
Video Output	1Vp-p Composite Output (75Ω/BNC)	
<b>Lens</b>		
Focal Length	2.8~12mm/F1.2 Horizontal Angle of View: 99°~24°	
Lens Type	Megapixel Auto Iris - DC Drive, (Support ICR Lens)	
<b>Operational(OSD)</b>		
Lens	Manual / DC	
Shutter / AGC	Auto / Manual	
White Balance	ATW / Push / User 1 / User 2 / ANTI CR / Manual / Push lock	
Backlight	Off / BLC / HLC	
Picture Adjust	Mirror / Brightness / Contrast / Sharpness / Hue / Gain	
ATR	Off / On (luminance / Contrast)	
Motion Detect	Off / On (Sensitivity / Block display / Area selection)	
Privacy	Off / On (Area selection / Color / Transparent / Mosaic)	
Day/Night	Auto / B/W / Color	
Noise Reduction	Off / 2D	
Camera ID	Off / On (Character / Position)	
Language	English, Chinese, French, German, Russian, Spanish, Portuguese, Japanese	
<b>General</b>		
Ingress Protection	IK10 & IP66	
Power Supply	DC12V±10%	
Power Consumption	Max 3W	
Working Temperature	-30°C~+60°C	
Dimension	Φ160mm x 118.5mm	
Weight	1000g	

\*Design and specifications are subject to change without notice.