



HCD-960 WDR Box Color CCTV Camera (SONY Effio-e)

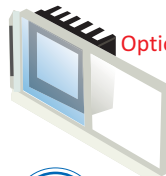


WDR-700TVL

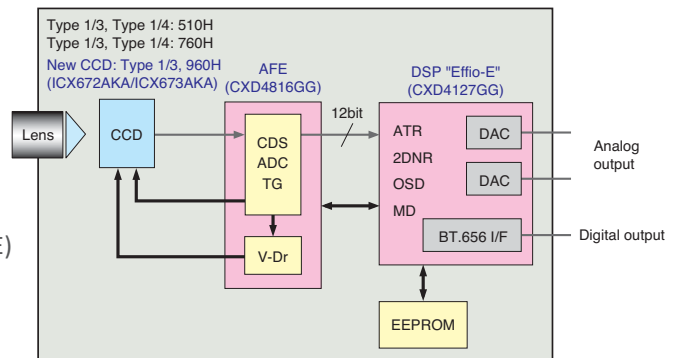
SONY-ICX673AKA



EXviewHAD CCD II

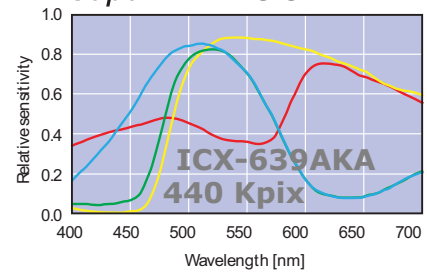


Option: Mechanical IR Cut Filter (HCD-960ICR)



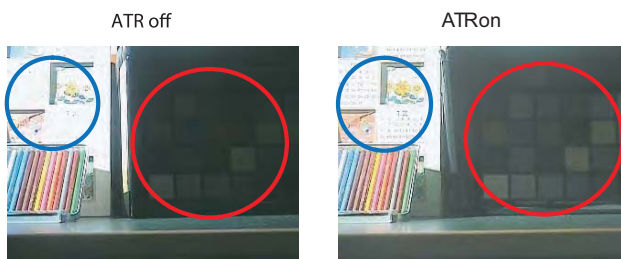
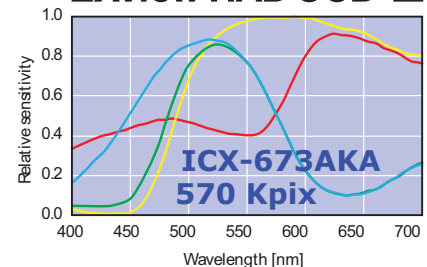
- 1/3" Digital Wide Dynamic Infrared Camera (Sony Effio-E)
- Color:700TVL, B/W:800TVL
- Multi-Language OSD Control
- ATR Digital Powerful 128X WDR (52dB)
- Anti-Headlight (HLC), Intelligent selectable BLC
- 2D Noise Reduction, Anti-Flicker..Color Rolling suppress
- Mosaic Privacy Mask
- Advanced Motion detection function
- Picture Quality Adjustable (Contrast/Sharpness/Hue/Gain)
- Min. Illumin.: 0.03Lux (color), -0.003Lux B/W , S/N Ratio = 52dB
- CS Mount (DC/Video AI Lenses or Manual Iris Lenses supported)
- White Balance: ATW/ACR/MANUAL(1700K~11,000K)/Push&Hold/Preset & HLC function, Digital Zoom 16x, Day & Night function
- Mirror function, Brightness, Contrast, Saturation, Hue
- Power: 12VDC- 120mA
- Body Size: 68 x 56 x 138mm, 0.33Kg, 0.003m³

Super HAD CCD II



+5dB

EXviewHAD CCD II



⚠ Specifications are approximate and subject to change without prior notice