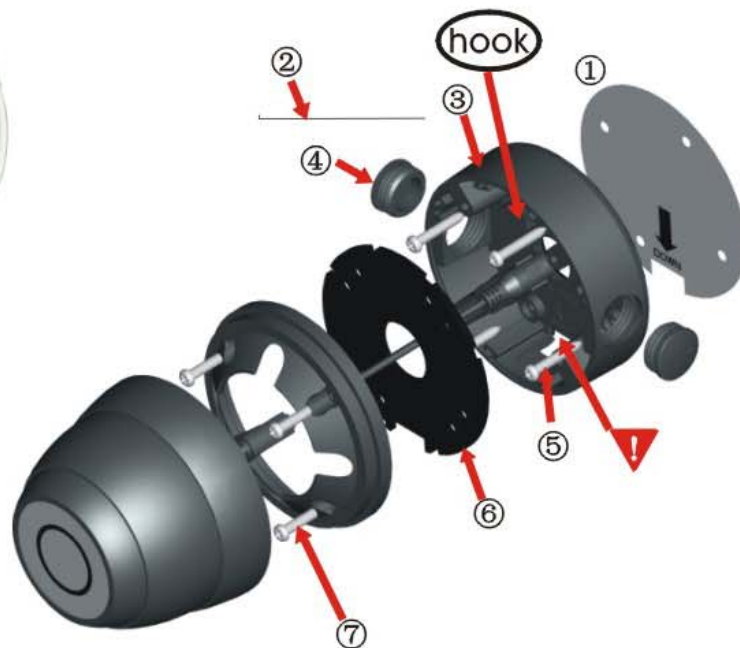


- ① Self-adhesive sticker
- ② cable tie
- ③ Connection plate
- ④ Stopper
- ⑤ Wall screws
- ⑥ Foam pad
- ⑦ Round head screws



▼ Here is the location for drainage, please follow the arrows downward direction to install

Installation:

1. using ① to locate holes in the wall
2. using ⑤ to fix ③ onto the wall with holes aligned
3. Video cables and power cords connected correctly, using ② to tie both onto the hook
4. affixed ⑥ to ③
5. using ⑦ to fix the camera on to ③