

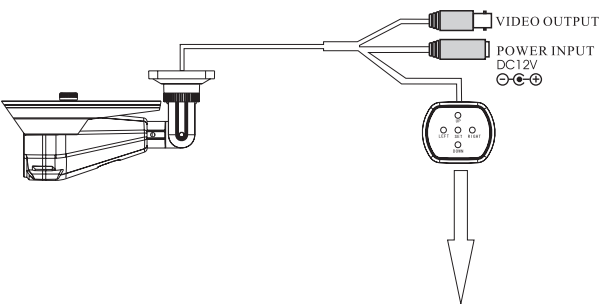
USER MANUAL



Before using the product, please read this manual carefully.
The picture is for reference, the object as the standard.




1

Diagram



OSD user manual

This model is very convenient with the OSD menu function. You could visit and view the menu on screen by operating five buttons at the back of the camera

-  Press the MENU button to access MAIN MENU, use this button to enter a menu or to select a menu option
-  Use UP and DOWN buttons to move vertically between menus and options
-  Use LEFT and RIGHT buttons to move horizontally between menus and options

*Notice: Please select SAVE&EXIT before exit, or else your settings would be invalid.

3

Cautions in Installation

- a) Do not install the camera in extreme temperature conditions. Do use the camera under conditions where temperatures are within $-20^{\circ}\text{C} \sim +50^{\circ}\text{C}$.
- b) Do not install the camera under unstable lighting conditions. Severe lighting change or flicker can cause the camera to work improperly.
- c) Do not install or use the camera in an environment where the humidity is high. It can result in poor-quality image.
- d) Do not disassemble the camera. There are no user-serviceable parts inside it. Opening or removing the camera's cover may expose you to dangerous voltage or other hazards. Refer all servicing to qualified personnel only.
- e) Do not touch the imaging surface of sensor. Use a soft cloth with alcohol to clean the surface if it is touched accidentally.
- f) Ensure the supply voltage is correct before operation!
- g) Do not focus the camera on the sun directly.

2

36-A9-R000390

Main menu

EXPOSURE	◆ EXPOSURE	◆ SENSE UP
	◆ AGC	◆ LENS
	◆ BRIGHTNESS	
COLOR	◆ WB MODE	
DAY&NIGHT	◆ MODE	◆ BURST
	◆ DAY NIGHT	◆ NIGHT DAY
	◆ DELAY TIME	◆ CDS-START
	◆ CDS-END	
EFFECT	◆ MIRROR	◆ SHARPNESS
MOTION DET	◆ MOTION DET	◆ ALARM MODE
	◆ SENSITIVITY	◆ AREA SELECT
	◆ MODE	◆ START
	◆ END	◆ OUTPUT TIME
	◆ AUTO ZOOM	
PRIVACY	◆ MASK SELECT	◆ MODE
	◆ COLOR	◆ TOP
	◆ LEFT	◆ RIGHT
	◆ BOTTOM	◆ MOVE
ENHANCE	◆ GAMMA	◆ 3D-DNR
	◆ MONITOR	◆ DPC
SYSTEM	◆ COMM ID	◆ TITLE
EXIT		

4

Menu

EXPOSURE:

EXPOSURE: NORMAL/BLC/WDR/HLI
 SENSE UP: OFF/X2/X4/X8/X16/X32/X64/X128/X256/X512/X1024
 AGC: OFF/LOW/MIDDLE/HIGH
 LENS: ELECTR/DC IRIS
 BRIGHTNESS: 0~99

COLOR:

WB MODE: ATW/AWB/MANUAL/PUSH

DAY&NIGHT:

MODE: AUTO/DAY/NIGHT/SMART LED
 BURST: OFF/ON
 DAY → NIGHT: 0~255
 NIGHT → DAY: 0~255
 DELAY TIME: 0~10
 CDS → START: 0~255
 CDS → END: 0~255

EFFECT:

MIRROR: OFF/HORI/VERT/ROTATE
 SHARPNESS: 0~49

5

Menu

MOTION DET:

MOTION DET: OFF/ON
 ALARM MODE: OFF/MESSAGE/AREA
 SENSITIVITY: 0~120
 AREA SELECT: 1/2/3/4
 MODE: OFF/ON
 STARE: X/Y 0~15
 END: X/Y 0~15
 OUTPUT TIME: 0~10
 AUTO ZOOM: OFF/ON

PRIVACY:

MASK SELECT: 1/2/3/4/5/6/7/8
 MODE: OFF/ON
 COLOR: 0/1/2/3/4/5/6/7
 TOP: X: 29~216 /Y: 5~153
 LEFT: X: 29~216 /Y: 5~153
 RIGHT: X: 29~216 /Y: 5~153
 BOTTOM: X: 29~216 /Y: 5~153
 MOVE: X: 29~216 /Y: 5~153

ENHANCE:

GAMMA: 0.3/0.45/0.6/1.0
 3D-DNR: 0~5
 MONITOR: CRT/LCD
 DPC: OFF/AUTO

6

Menu

SYSTEM:

COMM ID: 0~254
 TITLE: OFF/ON (Supports for up to 16 characters.)

EXIT:

7

Specifications

Model Name	IRW-824
Pick Up Device	1/3" SONY Super HAD II CCD
Total Pixels	PAL: 976 (H) * 582 (V) NTSC: 976 (H) * 494 (V)
Sensing area	4.9mm*3.7mm
Scanning System	2:1 Interlaced
Sync. System	Internal
Resolution	700 TV Lines
O.S.D	Built-in
Lens	2.8mm
EXPOSURE	NORMAL/BLC/WDR/HLI
WDR	AUTO/ON (0~20)
White Balance	ATW/AWB/MANUAL/PUSH
AGC	OFF/LOW/MIDDLE/HIGH
3 DNR	0~5 level adjustable
Motion detection	Off/On(4 areas)
Mirror function	OFF/HORI/VERT/ROTATE
Privacy zones	Off/On(8 areas)
Day & Night	AUTO/DAY/NIGHT/SMART LED
S/N Ratio	More than 48dB
Video Output	1.0Vp-p Composite Video Output, 75Ω
IR LED	24 Units infrared LED(φ 5mm/850nm)
IR Distance In Effect	15m(indoor)/10m(outdoor)
IR Illumination	3Lux
Min. Illumination	0 Lux (IR ON)
Power Source	DC12V ±10%
Current Consumption	200mA(IR Off), 400mA(IR On)
Operation Temperature	-20°C ~ 50°C
Weight	500g

8