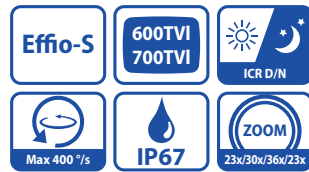


# WSPD-23H / 36H

23x/36x Weatherproof PTZ Dome Camera



## Model

**WSPD-23H:** 23x optical zoom, 1/4" Super HAD CCD II, Effio-S, 600TVL, IP66

**WSPD-36H:** 36x optical zoom, 1/4" Super HAD CCD II, Effio-S, 600TVL, IP66

## Features

### Camera

- Effio-S brings low-light and high-resolution images
- High resolution of 600TVL & 700TVL(Color)
- Min. Illumination low to 0.001 lux@F1.6(Color), 0.0001LUX@1.6(B/W)
- Powerful 23x/30x/36x/23x optical zoom
- Day/Night (ICR), DNR (2D&3D), Auto iris, Auto focus, AWB, AGC, BLC

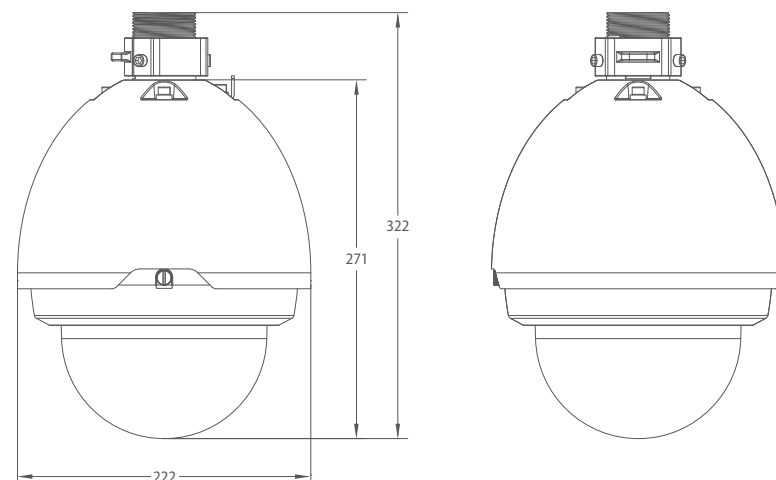
### Dome Drive

- Max 300°/s pan speed, 360° continuous pan rotation & auto flip with no blind spot monitor
- Up to 255 preset, 5 auto scan, 8 tour, 5 pattern
- Auto recognition of general protocols such as DH-SD, Pelco-P/D, and etc
- Speed setup according to the focal distance, auto rotation speed adjust

in accordance with the lens zoom rate

- Auto restore to previous PTZ and lens status after power failure
- Time Task: Auto activation of Preset/Scan/Tour/ Pattern by preset-time
- Idle task function supported: Call preset/tour and etc operations after idle for the specified time (including the idle status after the system boots up)
- OSD and operation prompts of various languages
- Build-in 7/2 channel alarm input/output
- Unique 3D positioning function
- IP66 all-environments protection, 4000V thunder-proof, auto constant temperature & anti-fog
- Easy installation with user-friendly designs

## Dimensions (mm)



## Specifications

Model	WSPD-23H	WSPD-36H
<b>Camera</b>		
Image Sensor	1/4" Super HAD CCD II	
Effective Pixels	PAL: 752(H) x 582(V) NTSC: 768(H) x 494(V)	
Horizontal Resolution	600TVL(Color), 650TVL(B/W)	
Min. Illumination	Color: 0.01 Lux/F1.6(AGC ON,Slow Shutter ON) B/W: 0.001Lux/F1.6(AGC ON,Slow Shutter ON)	
Lens	Optical zoom: 23x f= 3.9 mm(wide) ~ 89.7 mm (tele), (F1.6~3.7)	Optical zoom: 36x f= 3.4 mm(wide) ~ 122.4 mm (tele), (F1.6~4.5)
Digital Zoom	10x	
Angle of View	38.5°(wide) ~ 1.8° (tele)	57.8°(wide) ~ 1.7° (tele)
Close Focal Distance	100mm (wide) ~ 1000mm (Tele)	100mm (wide) ~ 1500mm (Tele)
Electronic Shutter	Auto: 1/s~1/100,000s Manual: 1/s~1/10,000s	
Day/Night	ICR	
Noise Reduction	Off / 2D / 3D	
Gain Control	Auto/Manual	
Exposure Control	Auto / Manual / Shutter priority / Iris priority / Bright mode, Exposure Compensation	
BLC	ON/OFF	
White Balance	AWB (3000 to 7500K), ATW(2000 to 1000K), Indoor(3200K), Outdoor(5800K), Manual	
Picture Effects	Sharpness, Image mirror, Image freeze	
S/N Ratio	More than 50 dB	
Video Output	CVBS: 1.0Vp-p / 75Ω	
<b>Dome Drive</b>		
Pan/Tilt Range	Horizontal: 0°~360°endless, Vertical: -2°~90° auto flip 180° to continue monitor	
Manual Control Speed	Horizontal: 0.1°~300°/s, Vertical: 0.1°~150°/s	
Preset Speed	Horizontal: 400°/s, Vertical: 180°/s	
Preset	255	
PTZ Mode	5 Auto Pattern, 8 Auto Tour, 5 auto scan	
3D Positioning	Yes	
Speed Setup	Human-oriented focal Length/ speed adaptation	
Info Display	Time, Location, Dome title, Dome coordinates, Temperature, Alarm, and etc.	
Power up Action	Auto restore to previous PTZ and lens status after power failure	
Idle Motion	Activate preset/scan/tour/ patter if there is no command in the specified period.	
Time Task	Auto activation of Preset/Scan/Tour/ Pattern by preset-time	
Alarm	7/2 alarm input/output, Triggering Preset/Tour/Pattern/Scan/ On-off Output	
Remote Upgrade	Yes, RS485	
Protocol	DH-SD, Pelco-P/D, Auto recognition of general protocols	
<b>General</b>		
Power Supply	AC 24V/3A(±10%)	
Power Consumption	12W(Indoor), 50W(Outdoor, heater on)	
Working Temperature	-40°C ~ 60°C	
Working Humidity	<90%	
Protection Level	IP67, 4000V thunder, surge and wave protection	
Dimension	Φ222(mm) x 322(mm)	
Weight	5.0kg	